

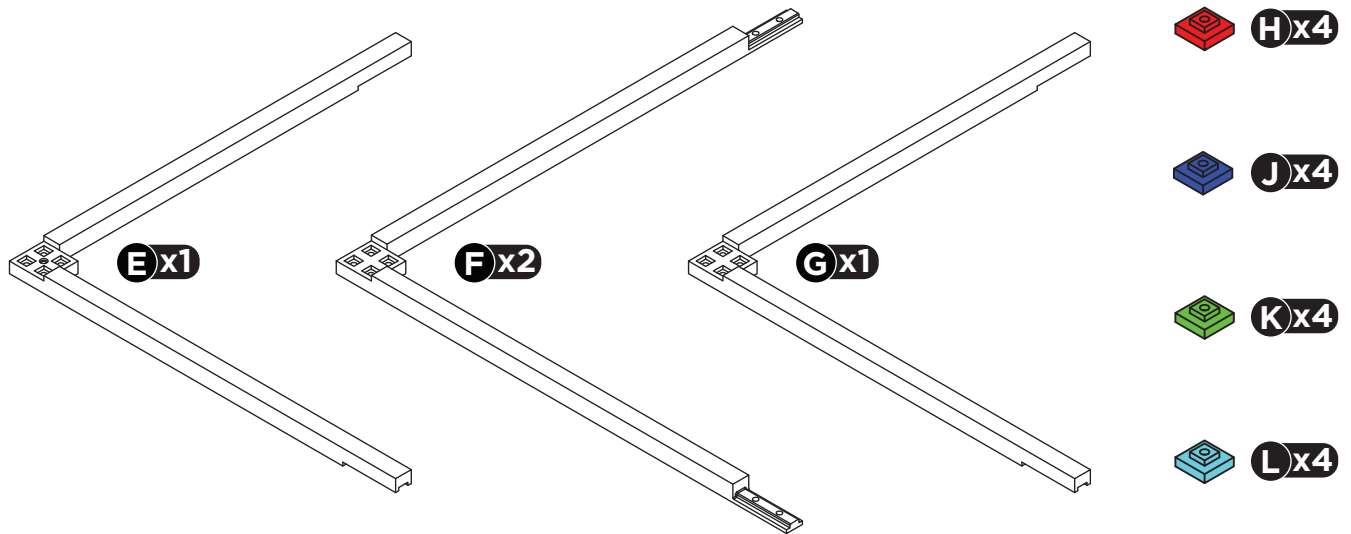
50cm Reference



•• Assembly Instructions ••

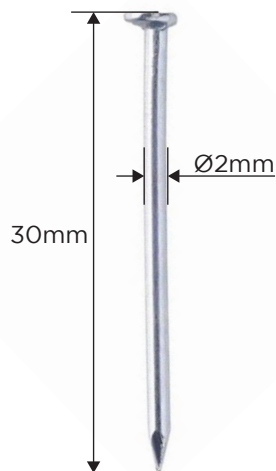
Spare parts

3D printed parts

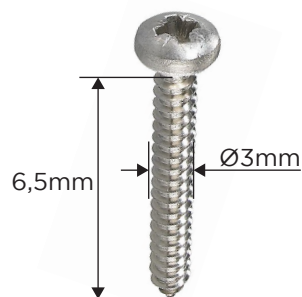


To buy in any DIY/Hardware shop

M x1 Stainless steel nail



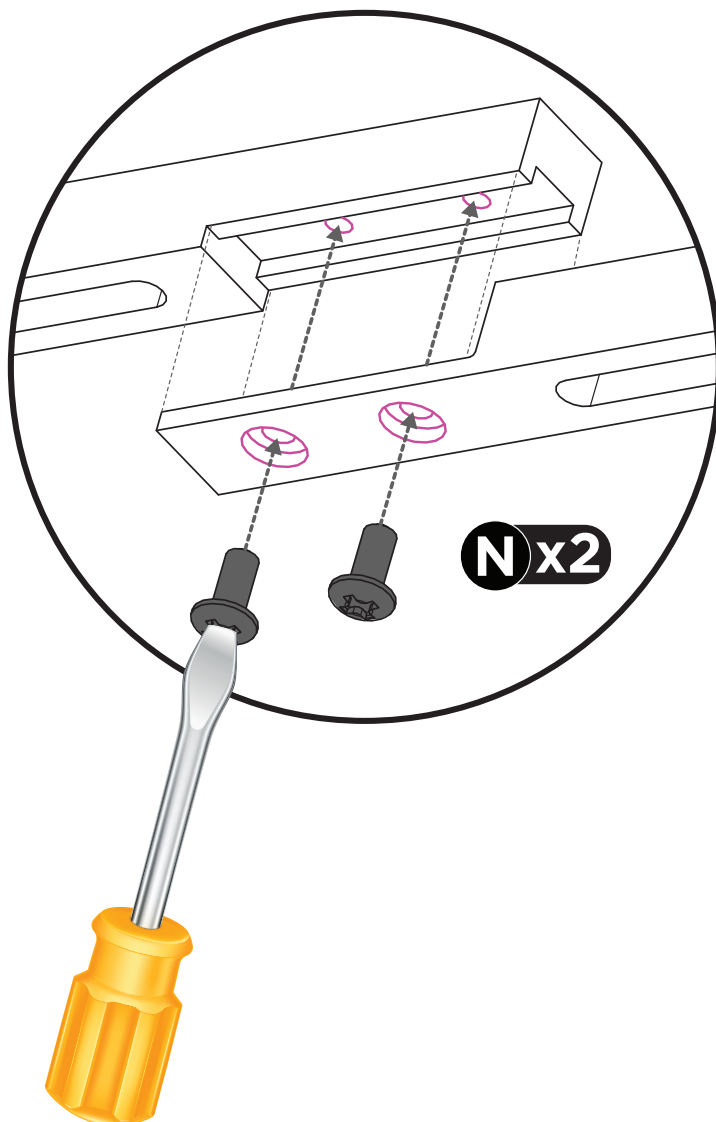
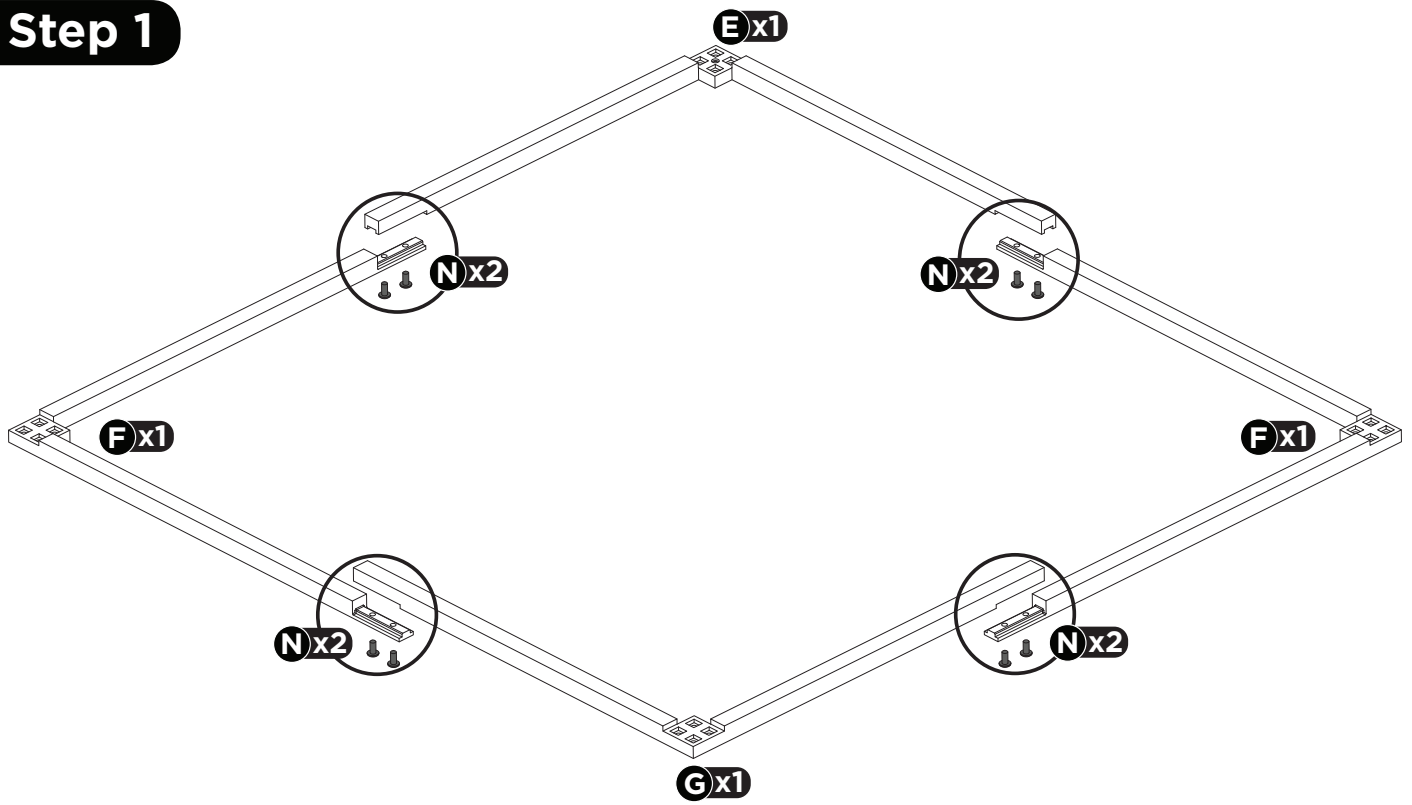
N x24 Stainless steel round headed screw



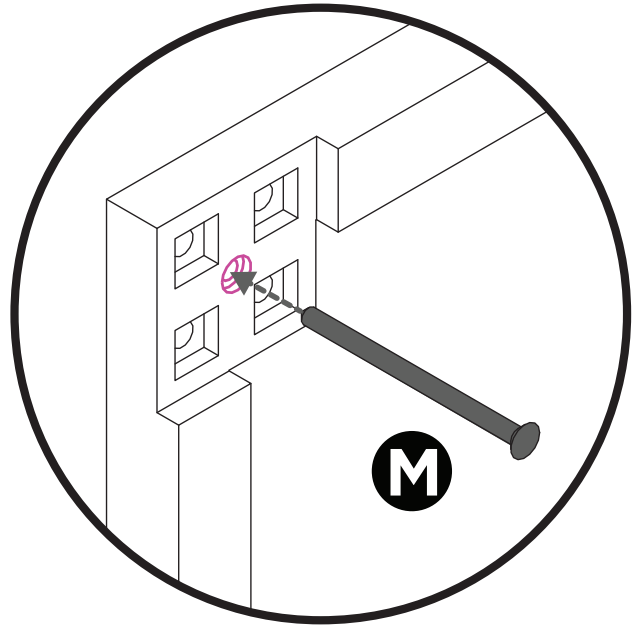
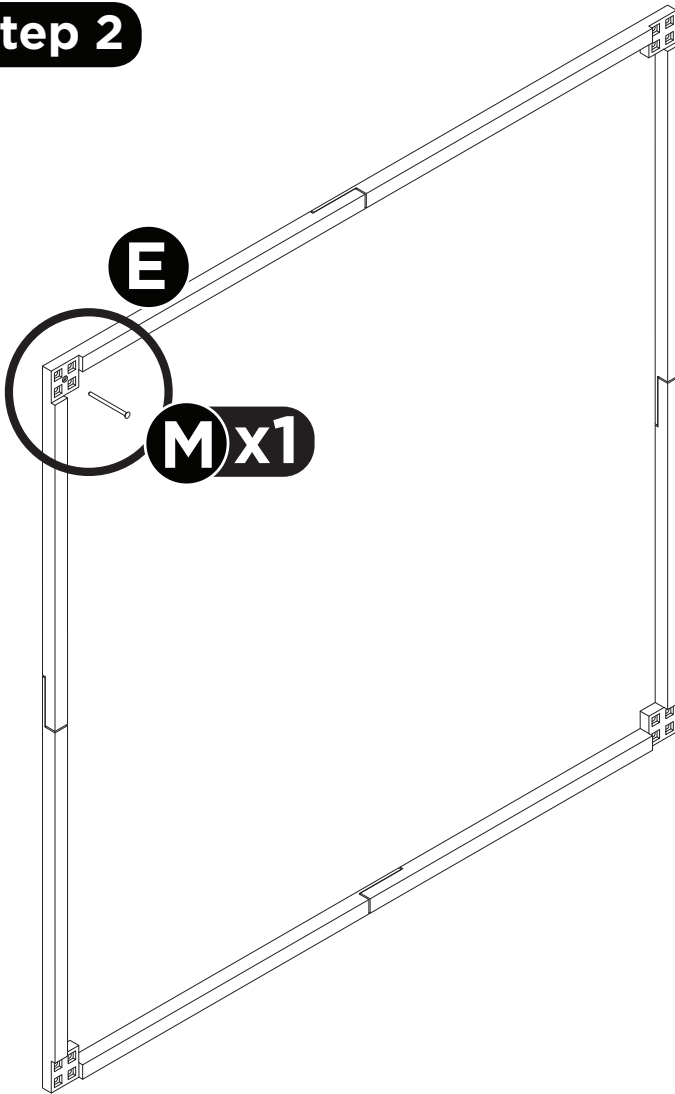
P x1 Screwdriver



Step 1

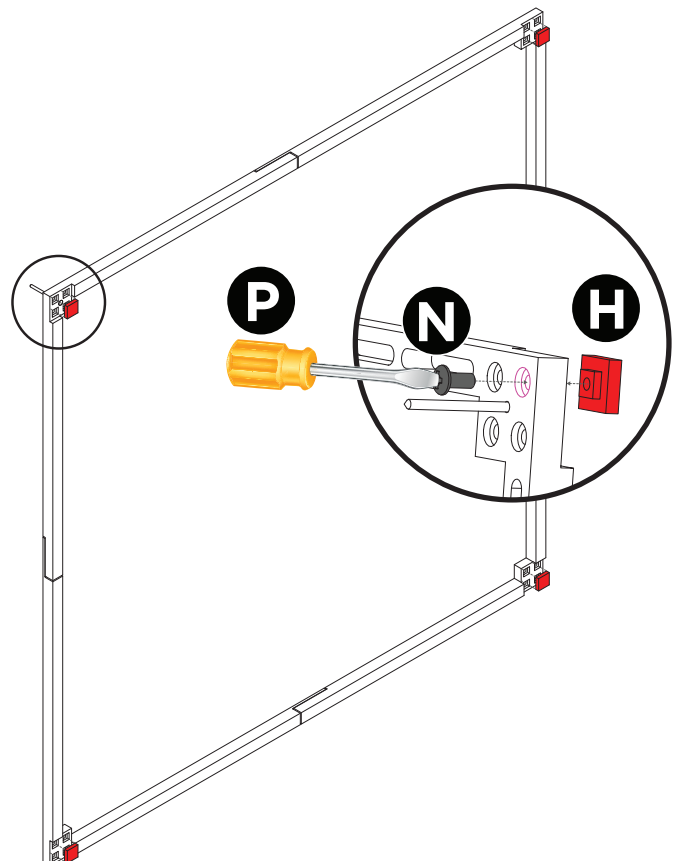
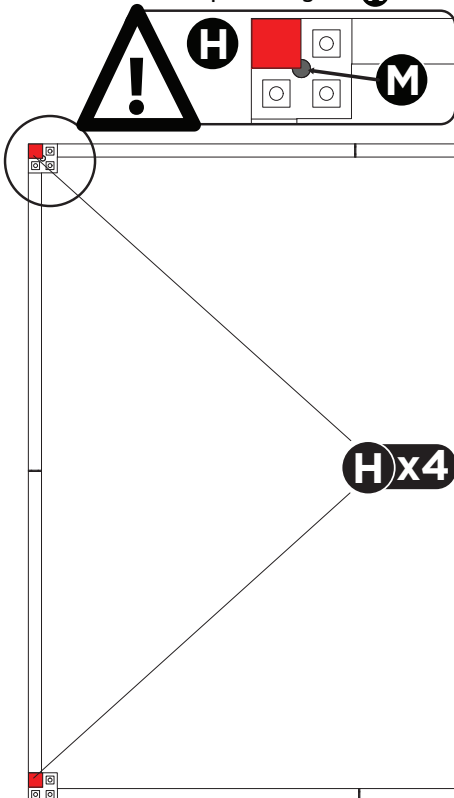


Step 2



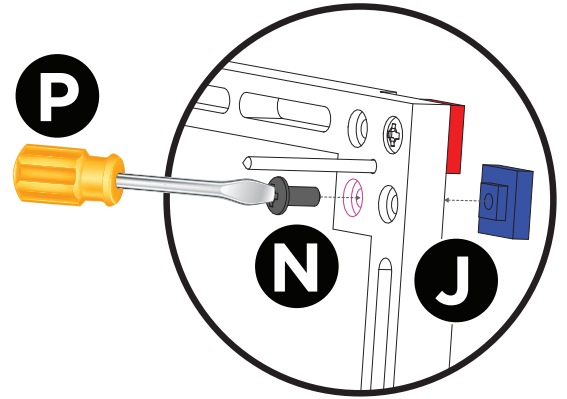
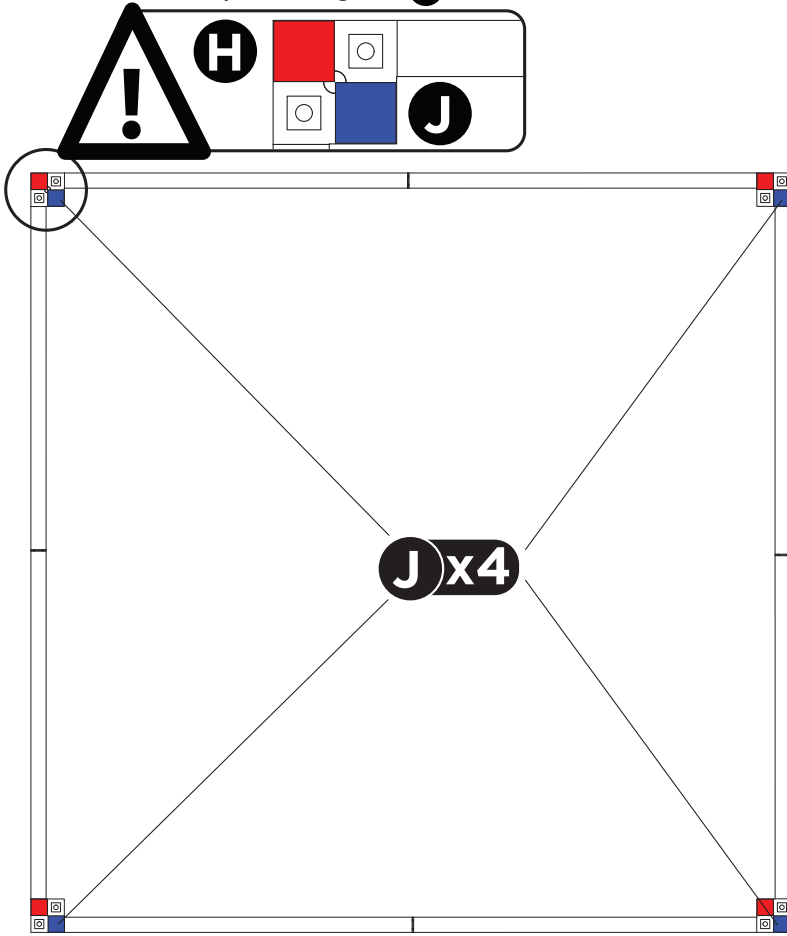
Step 3

Keep **M** as reference
for positioning the **H**



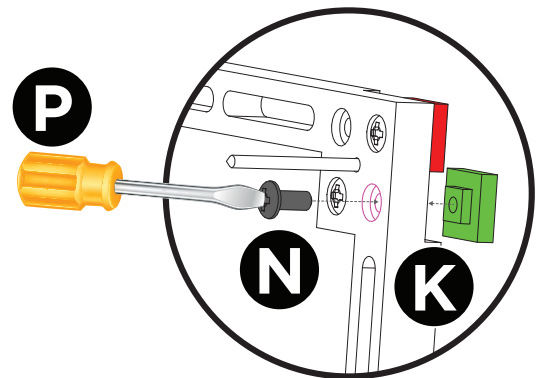
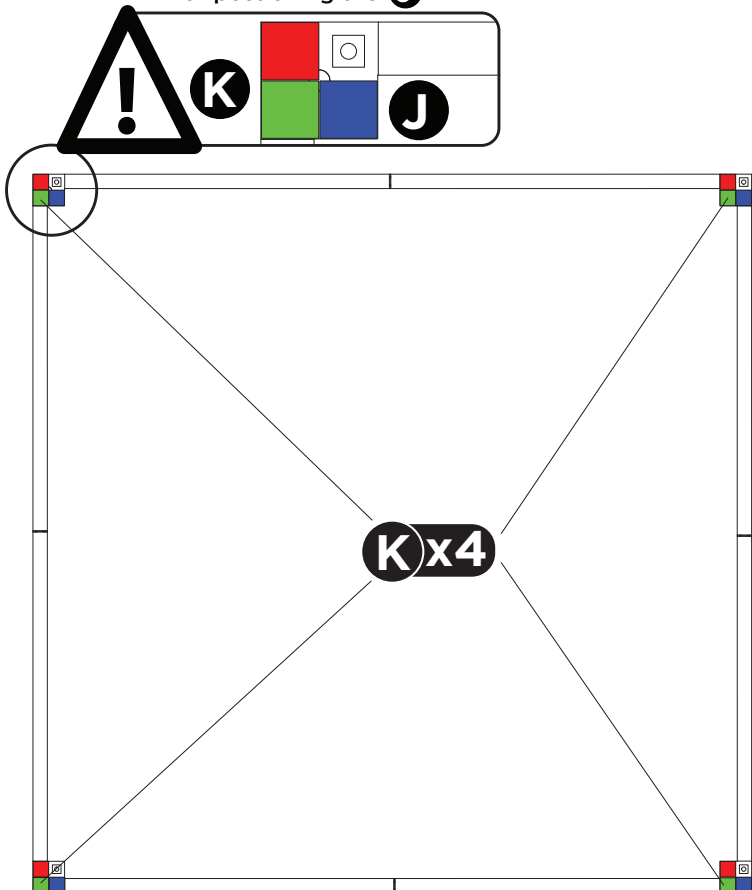
Step 4

Keep **H** as reference
for positioning the **J**



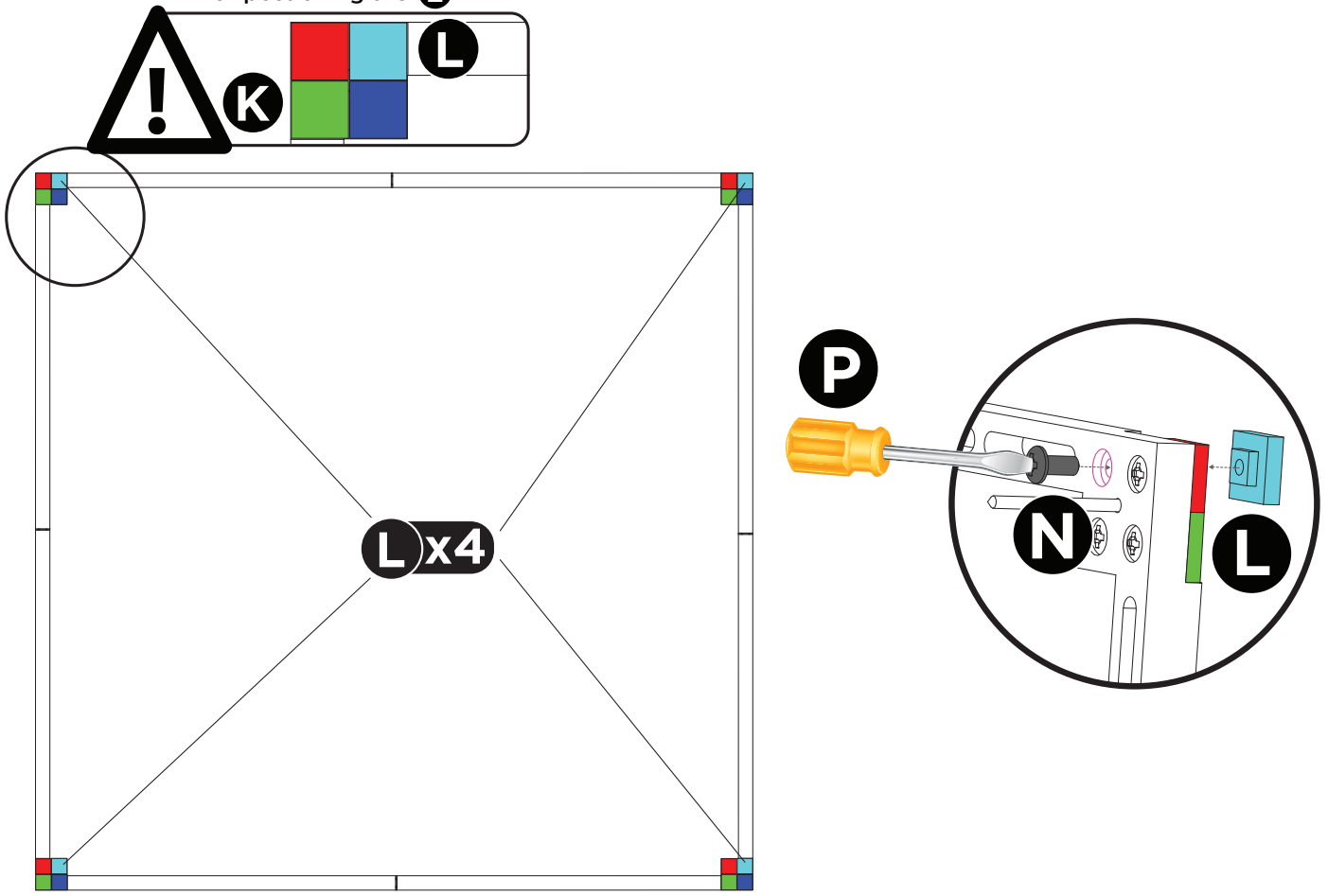
Step 5

Keep **K** as reference
for positioning the **J**

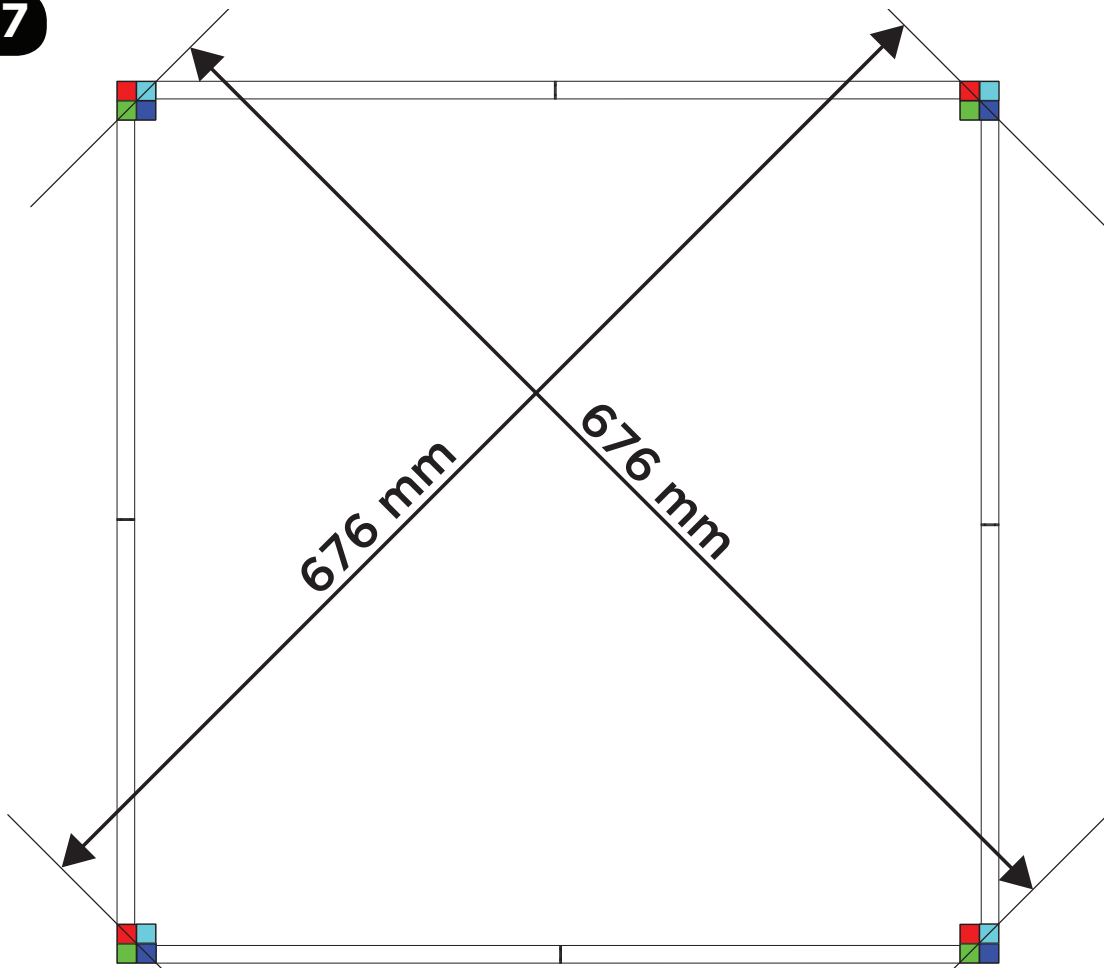


Step 6

Keep **K** as reference
for positioning the **L**



Step 7



Final

Keep in mind: when placing the reference on the bundle, all corners should have the red color at the top.

